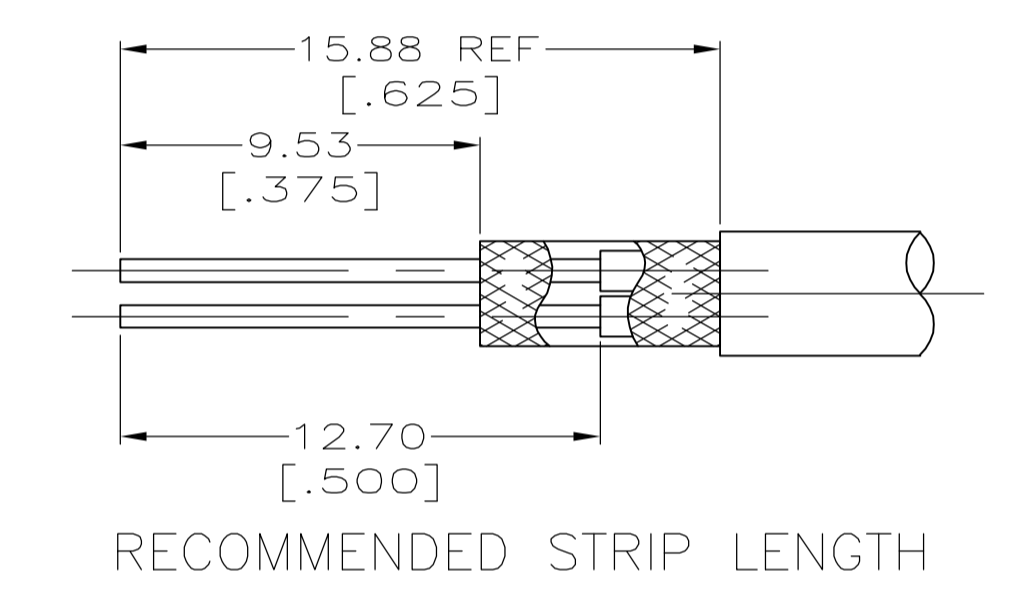
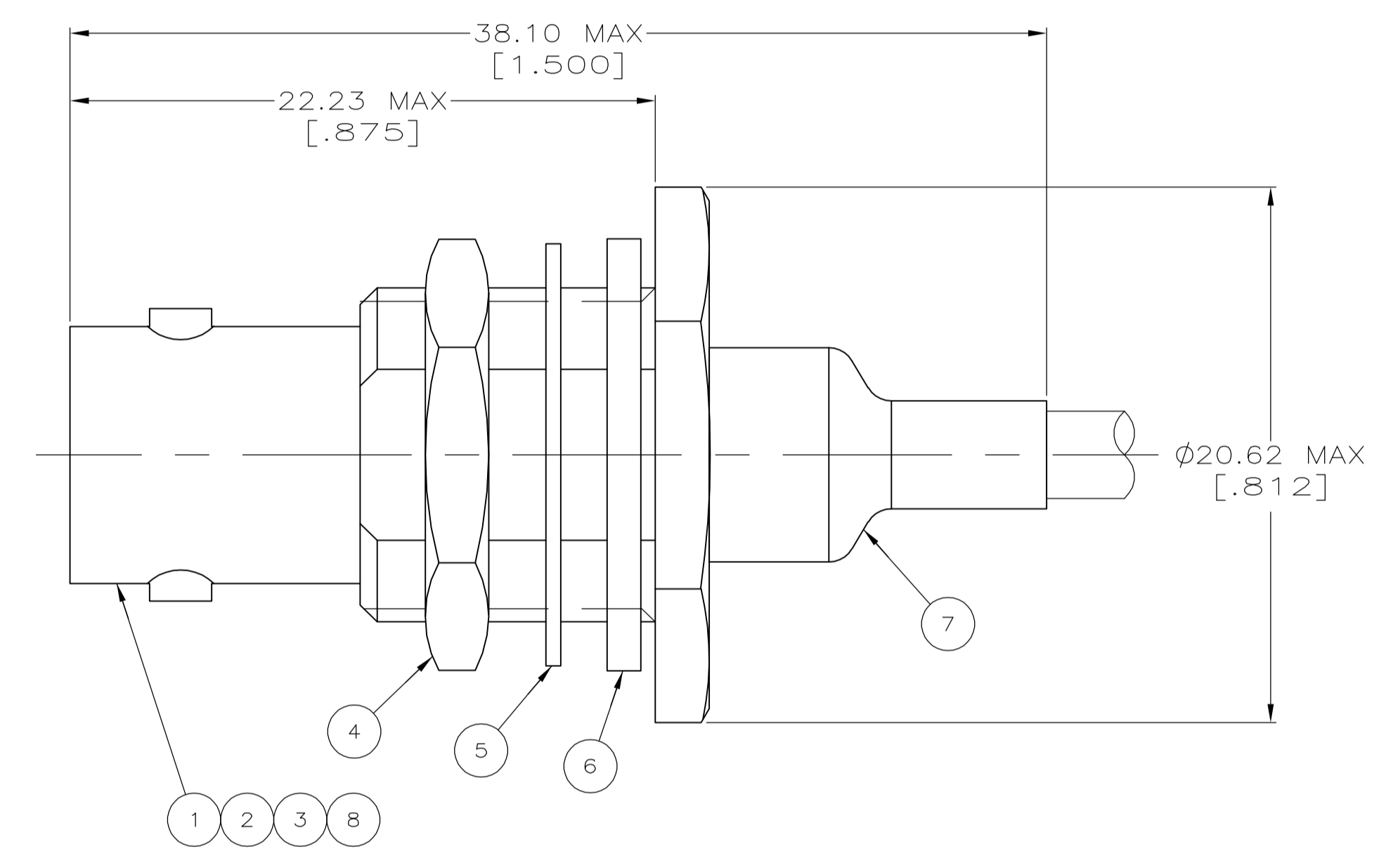
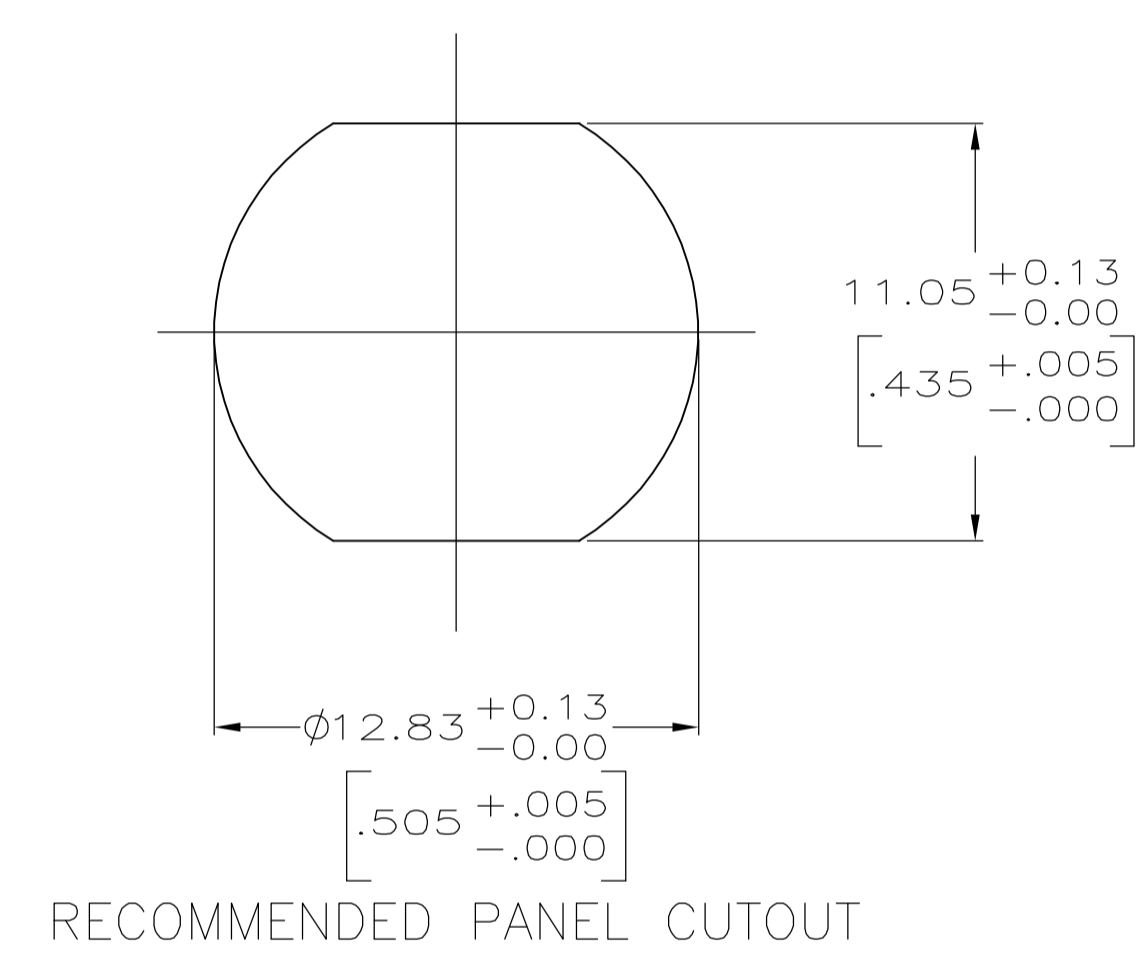


- 1. CRIMP USING PRO-CRIMPER 354940-1 WITH DIE SET 91909-1.
- 2. PARTS PACKAGED UNASSEMBLED.



RG-108 & 108A	1	1-332210-0	9-332224-1	329633	9-329632-0	9-329631-0	332214	1-332221-0	9-329791-1	5332342
FOR USE WITH CABLE	CRIMP TOOL	8 DIELECTRIC QTY=1	7 FERRULE QTY=1	6 GASKET QTY=1	5 LOCKWASHER QTY=1	4 JAM NUT QTY=1	3 SEAL QTY=1	2 CRIMP END ASSEMBLY QTY=1	1 BODY, JACK, BULKHEAD QTY=1	PART NUMBER

THIS DRAWING IS A CONTROLLED DOCUMENT.		DWN L. VARELA - DOCKS 21APR2005		Tyco Electronics Corporation	
DIMENSIONS: mm [INCHES]		CHK J. HAVENER 21APR2005		Harrisburg, PA 17105-3608	
TOLERANCES UNLESS OTHERWISE SPECIFIED:		APVD J. LIPPERT 21APR2005		NAME	
0 PLC ± -		PRODUCT SPEC		JACK, BHD, TWIN BNC	
1 PLC ± -		APPLICATION SPEC		-	
2 PLC ± 0.41 [016]		SIZE		CAGE CODE	
3 PLC ± -		WEIGHT		DRAWING NO	
4 PLC ± -		CUSTOMER DRAWING		RESTRICTED TO	
ANGLES ± -		SCALE 5:1		SHEET 1 OF 1	
MATERIAL -		FINISH -		REV A	